

DLS moduLight | 1-1200

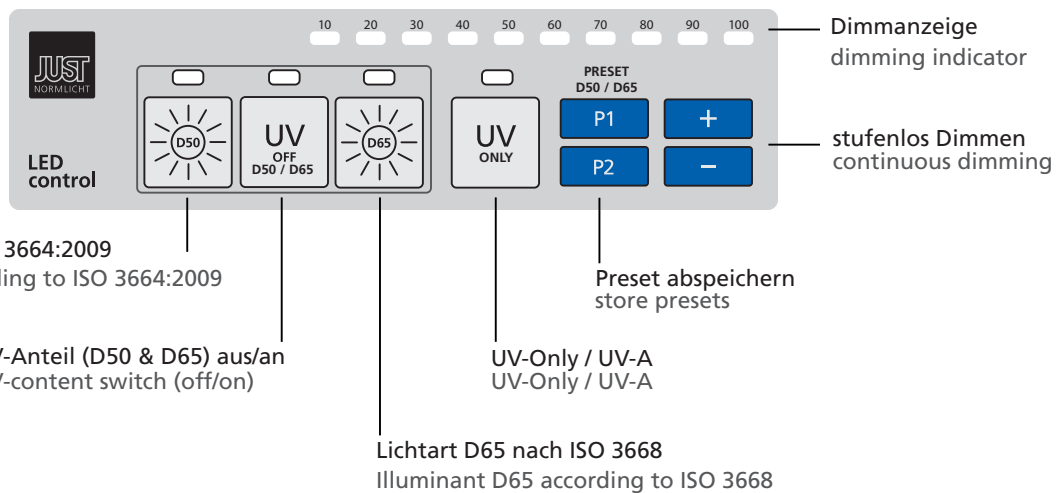
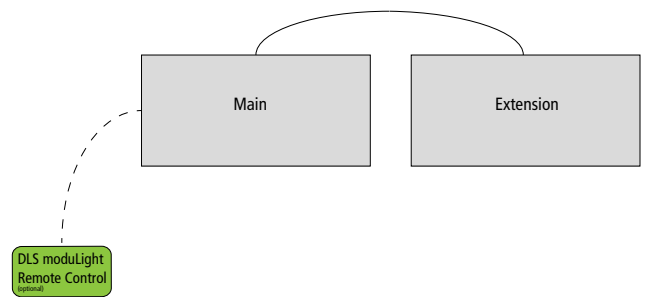
LED-based color proofing light; D50, D65 and UV-A



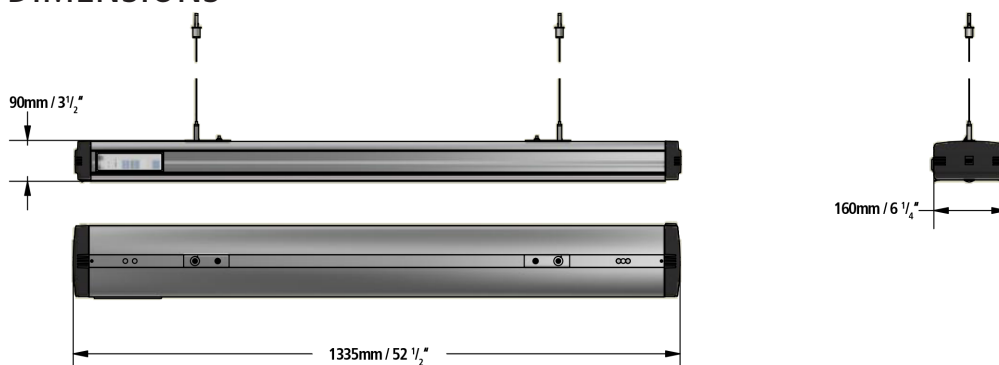
- LED-based color proofing light with one module
- including wire for ceiling suspension
- Item-No.: 201416 / 201503*

LED-CONTROL

- easy and intuitive operation
- supports simultaneous control of several luminaires (Main / Extension)
- Also available as external control (optional) (Item-No. 202073)



DIMENSIONS



*Item-No. / Data for US version of the product

TECHNICAL DATA

Electric data

Maximum electric power	90 W
Operating voltage	230 V / 110 V*
Tension frequency	50 / 60 Hz
Connection cable	power cable, angle plug type 303 to IEC socket type 601 / NEMA 5-15P Male*
Maximum continuous current (continuous operation)	0,4 A / 0.8 A*
Operating mode	Continuous operation
Expected lifetime (continuous operation)	>50.000 h

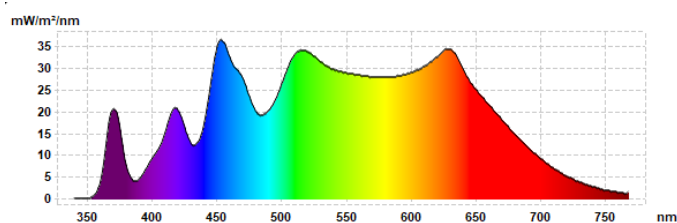
Photometric data and colorimetric characteristics

Illuminant types	CIE D50 (5000 K) , CIE D65 (6500 K), UV-ONLY (UV-A)
Ra (Color Rendering Index) \varnothing	>95
Metamerism Index (visible range)	<1
Metamerism Index (UV-range)	<1,5
Chromaticity error	<0,002
Chromaticity coordinate (10°)	D50: x=0,3478 y=0,3595; D65: x=0,3138 y=0,3309
Dominant wavelength UV-ONLY	365 nm
Radiant power UV-ONLY	6 W
Risk assessment according to DIN-EN-62471	D65+UV / D50+UV: RG0 UV-ONLY: RG1

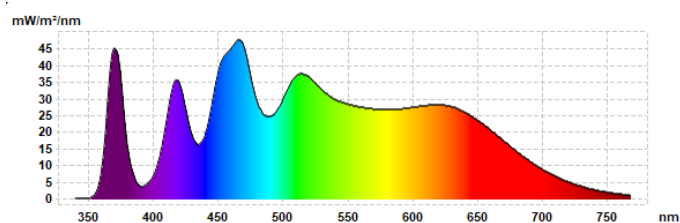
Mechanical data

Illumination area (WxD)	100 x 40 cm / $39 \frac{3}{8}'' \times 15 \frac{3}{4}''^*$
Outside dimensions (WxHxD)	133,5 x 9 x 16 cm / $52 \frac{1}{2}'' \times 3 \frac{1}{2}'' \times 6 \frac{1}{4}''^*$
Product weight	7 kg / 15 lbs
Shipping weight	15 kg / 33 lbs
Housing	Anodized aluminium
Lens	special prismatic lens , UV-transmissive
Protection class	IP 52
Permitted ambient temperature	$0^{\circ}\text{C} \leq X \leq 40^{\circ}\text{C}$ / $32^{\circ}\text{F} \leq X \leq 104^{\circ}\text{F}$

Spectrum DLS moduLight D50



Spectrum DLS moduLight D65



Spectrum UV-A (UV-ONLY)

